

PSR-SCP- 24UC/ESA4/2X1/1X2

Order No.: 2963750

The illustration shows the version PSR-SCP- 24UC/ESM4/2X1/1X2

<http://eshop.phoenixcontact.de/phoenix/treeViewClick.do?UID=2963750>

2-channel safety relay for emergency off and safety door circuits, 2 N/O contacts, 1 N/C contact, undelayed, automatic and manual start for category 4 / EN 954-1, safe isolation, pluggable connecting terminal blocks, width: 22.5 mm

Commercial data

EAN	4017918823634
Pack	1 Pcs.
Customs tariff	85364900
Weight/Piece	0.2448 KG
Catalog page information	Page 20 (IF-2007)

Product notes

WEEE/RoHS-compliant since:
07/22/2006

<http://www.download.phoenixcontact.com>
Please note that the data given here has been taken from the online catalog. For comprehensive information and data, please refer to the user documentation. The General Terms and Conditions of Use apply to Internet downloads.

Technical data

Input data

Nominal input voltage U_N	24 V AC/DC
Input voltage range in reference to U_N	0.85 ... 1.1

Typical input current at U_N	140 mA AC
	65 mA DC
Voltage at input/start and feedback circuit	Approx. 24 V DC
Typical response time	45 ms
Typical release time	45 ms (Single-channel)
	20 ms (two-channel)
Concurrence input 1/2	Infinite
Recovery time	1 s
Max. permissible overall conductor resistance	Approx. 22 Ω (Input and start circuits at U_N)

Output data

Contact type	2 enabling current paths, 1 signaling current path
Contact material	AgSnO ₂ , + 0.2 μ m Au
Maximum switching voltage	250 V AC/DC
Minimum switching voltage	15 V AC/DC
Limiting continuous current	6 A
Maximum inrush current	6 A
Inrush current, minimum	25 mA
Interrupting rating (ohmic load) max.	144 W (24 V DC, $\tau = 0$ ms)
	288 W (48 V DC, $\tau = 0$ ms)
	110 W (110 V DC, $\tau = 0$ ms)
	88 W (220 V DC, $\tau = 0$ ms)
	1500 VA (250 V AC, $\tau = 0$ ms)
Maximum interrupting rating (inductive load)	42 W (24 V DC, $\tau = 40$ ms)
	42 W (48 V DC, $\tau = 40$ ms)
	42 W (110 V DC, $\tau = 40$ ms)
	42 W (220 V DC, $\tau = 40$ ms)
Switching capacity min.	0.4 W
Output fuse	6 A fast blow
	4 A circuit-breaker C

General data

Length	99 mm
Width	22.5 mm
Height	114.5 mm
Ambient temperature (operation)	-20 °C ... 55 °C

Ambient temperature (storage/transport)	-20 °C ... 70 °C
Service life mechanical	Approx. 10 ⁷ cycles
Mounting position	Any
Category in acc. with EN 954-1	4
Stop category	0
Name	Air and creepage distances between the power circuits
Standards/regulations	DIN EN 50178/VDE 0160
Rated surge voltage / insulation	6 kV / Safe isolation, increased insulation
Rated insulation voltage	250 V
Pollution degree	2
Surge voltage category	III

Connection data

Conductor cross section solid min.	0.2 mm ²
Conductor cross section solid max.	2.5 mm ²
Conductor cross section stranded min.	0.2 mm ²
Conductor cross section stranded max.	2.5 mm ²
Conductor cross section AWG/kcmil min.	24
Conductor cross section AWG/kcmil max	12
Stripping length	7 mm
Screw thread	M3
Type of connection	Screw connection

Certificates / Approvals

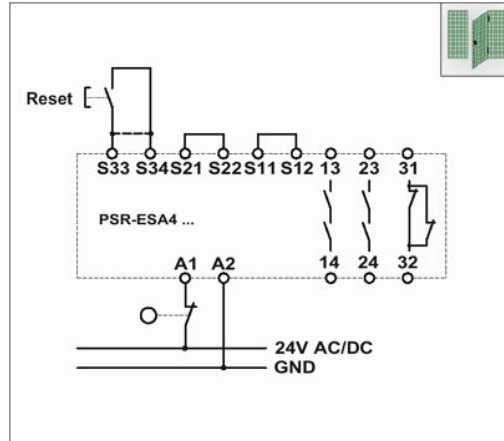
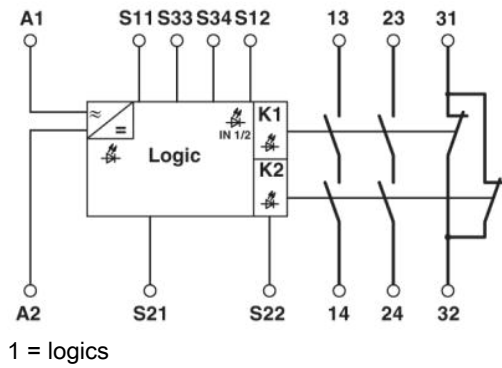


Certification CUL Listed, GOST, UL Listed

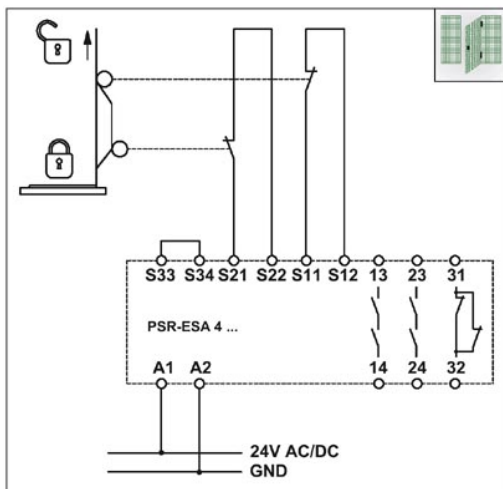
Certifications applied for: TUEV-RH

Drawings

Circuit diagram



Single-channel protective door monitoring with automatic activation, suitable up to safety category 2 (EN 954-1)



Two-channel safety door monitoring with cross monitoring and automatic activation, suitable up to safety category 4.